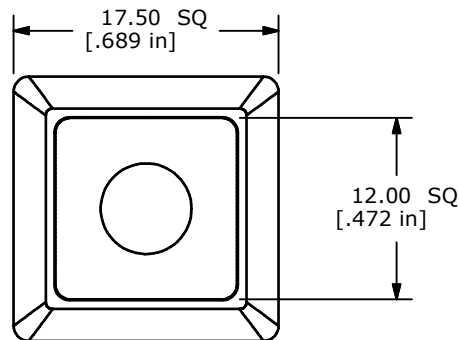
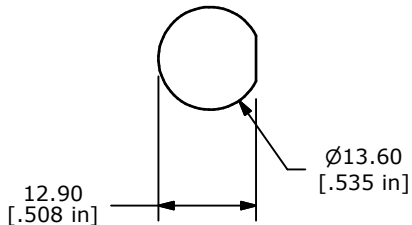
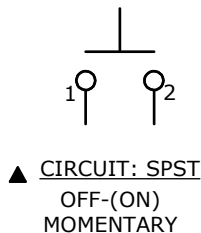
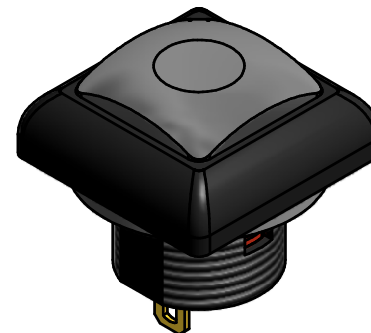


PANEL MOUNTING



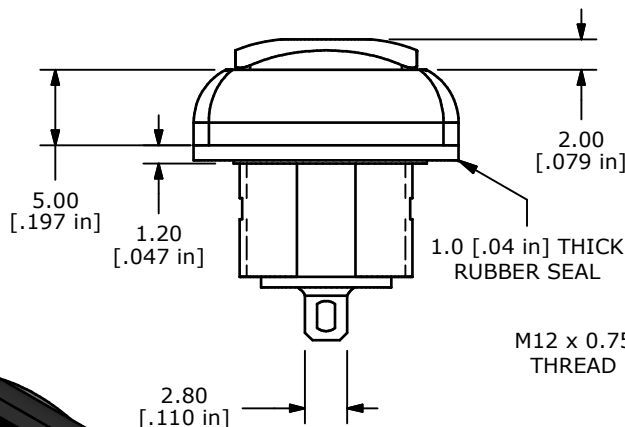
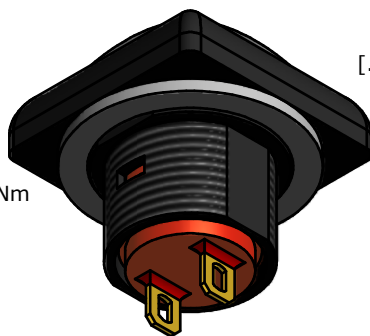
▲  
BLACK  
HOUSING



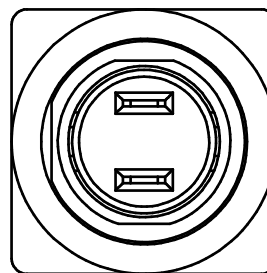
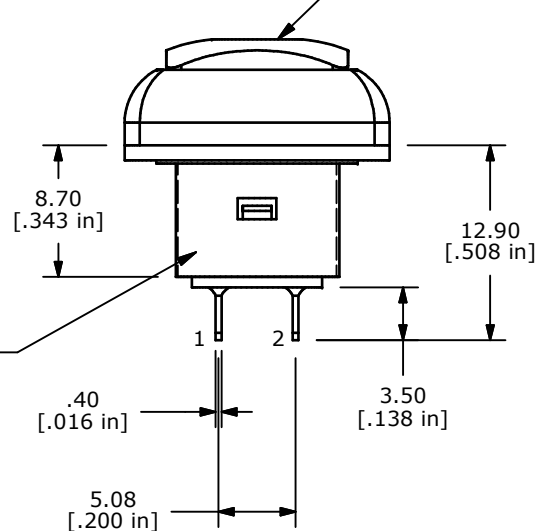
▲  
BLACK  
BUTTON

NOTE:

1. ALL DIMENSIONS IN MM [INCH]
2. GENERAL TOLERANCE: X.X=±0.4  
X.XX=±0.25
3. TERMINAL NUMBERS FOR REF ONLY
4. CIRCUIT: SPST OFF-MOMENTARY ON
5. CONTACT MATERIAL: Gold OVER SILVER
6. RATING: 125mA @ 125 VAC  
100mA @ 50 VDC
7. ELECTRIC LIFE: 500,000 CYCLES AT FULL LOAD
8. CONTACT RESISTANCE: 50 MILLIOHM MAX. (INITIAL)
9. INSULATION RESISTANCE: 1,000 MEGA-OHM MIN. @ 500VDC.
10. DIELECTRIC STRENGTH: 1,000 VAC FOR 1 MINUTE.
- ▲11. OPERATING FORCE: 350 gf +/- 150 gf
12. OPERATING TEMPERATURE: -30°C TO +85°C.
13. CONTACT BOUNCE: 10ms MAX.
14. TRAVEL: 1.5±0.25MM
15. PANEL THICKNESS RANGE: 1.5 - 4.0 mm.
16. ▲ DENOTES CRITICAL PARAMETER.
17. 2002/95/EC (ROHS) COMPLIANT
18. MAX TORQUE APPLIED TO MOUNTING NUT: 0.5Nm
19. HARDWARE INCLUDED:  
1) T081101 LOCK WASHER (QTY 1)  
2) T081102 HEX NUT (QTY 1)  
3) T081103 RUBBER O-RING (QTY 1)
20. SEAL RATING: IP67 TO THE FRONT PANEL B



M12 x 0.75  
THREAD



TITLE RP8500B2M1CEBLKBLKNIL				
SCALE	DATE	DR	DWG	REV
2:1	10/22/2013	rc	ST085003	B